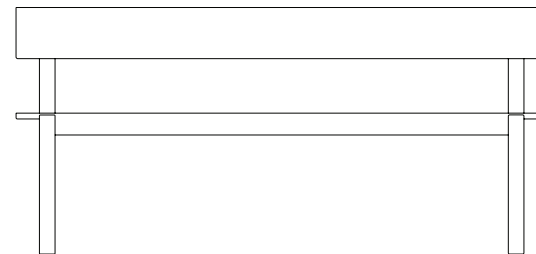
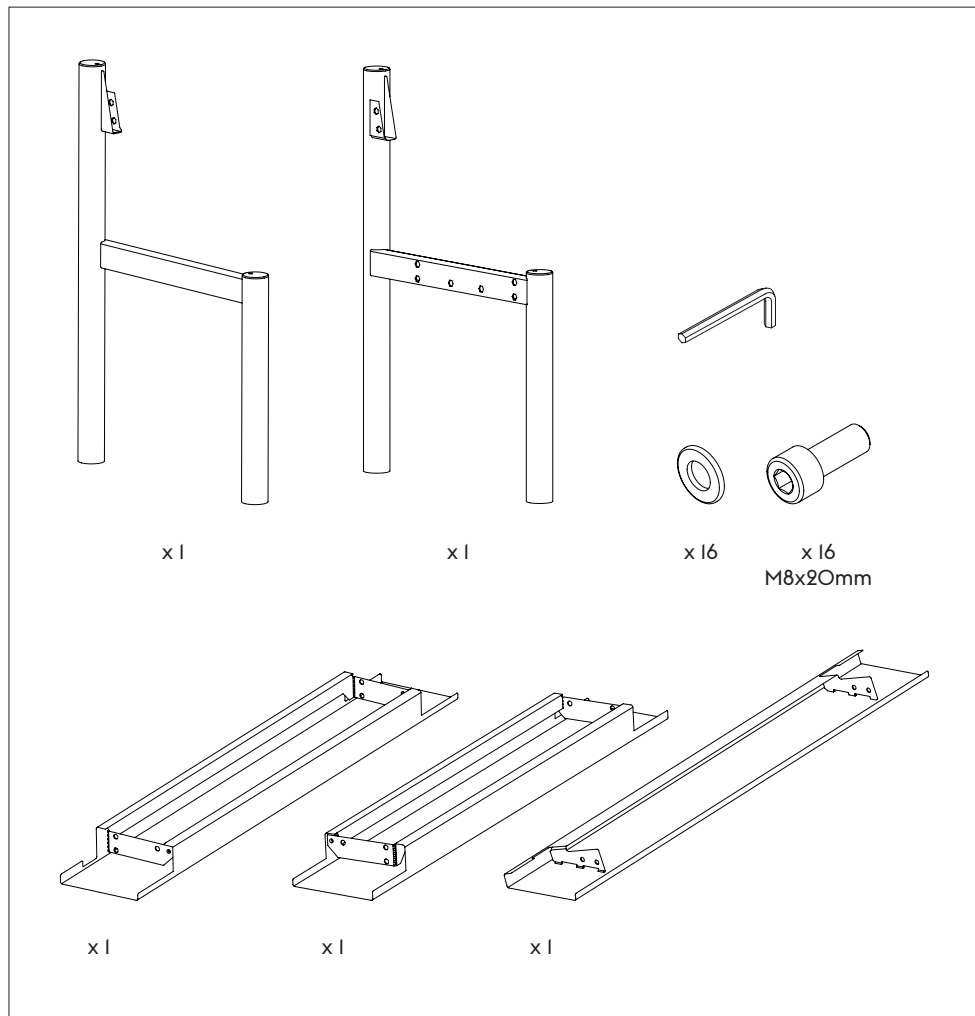


- EN Clean the bench with a damp cloth. If necessary, use a mild detergent or dish-washing liquid, not concentrated. Always wipe with a dry cloth afterwards. To minimize the risk of stains and marks, liquids, grease etc. should be removed straight away.
- DK Rengør bænken med en fugtig klud. Hvis nødvendigt, brug en smule rengøringsmiddel eller ikke-koncentreret opvaskemiddel. Tør altid af med en tør klud. For at minimere risikoen for pletter og mærker, væske eller fedt vaskes bænken af med det samme.
- DE Bank mit einem feuchten Tuch reinigen. Erforderlichenfalls können Sie ein mildes Reinigungsmittel oder einen Haushaltsreiniger (kein Konzentrat) verwenden. Stets mit einem trockenen Tuch nachwischen. Um das Risiko bleibender Flecken zu minimieren, sollten Flüssigkeiten, Fette usw. sofort entfernt werden.
- FR Nettoyez le banc avec un tissu humide. Si nécessaire, utilisez un détergent doux ou du liquide vaisselle et non concentré. Toujours essuyer ensuite avec un tissu sec. Pour minimiser le risque de taches et marques, les liquides, la graisse etc. doivent être retirés tout de suite.
- ES Limpie el banco con un paño húmedo. Si es necesario, utilice un detergente suave o un detergente líquido y no concentrado. Limpie siempre con un paño seco después. Para minimizar el riesgo de manchas y marcas, deben eliminarse inmediatamente los líquidos, la grasa, etc.

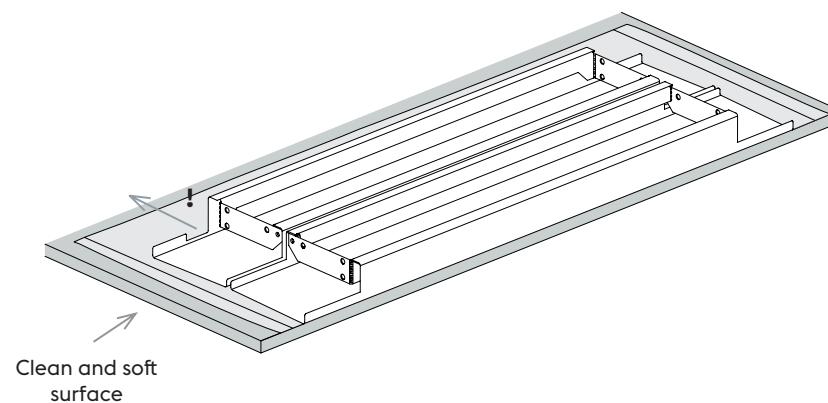
# LINEAR STEEL BENCH W BACKREST — ASSEMBLY

— Thomas Bentzen

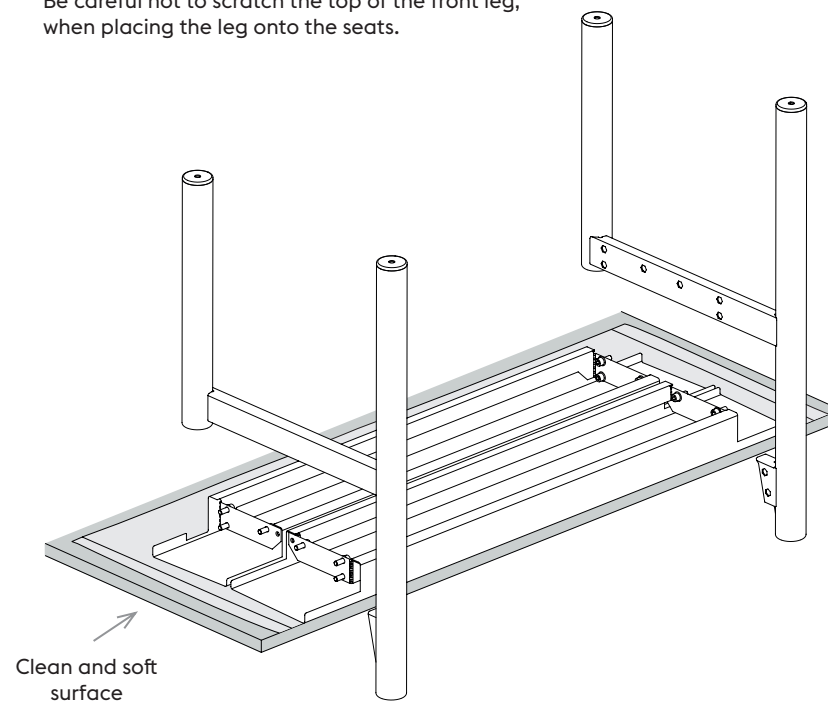




- 1 Place the seats on the edge of a table. One of the seats has a cutout for the front leg. Position this seat so that the cutout faces away from the edge of the tabletop. When placed correctly, the back legs and the backrest will extend beyond the table's edge.

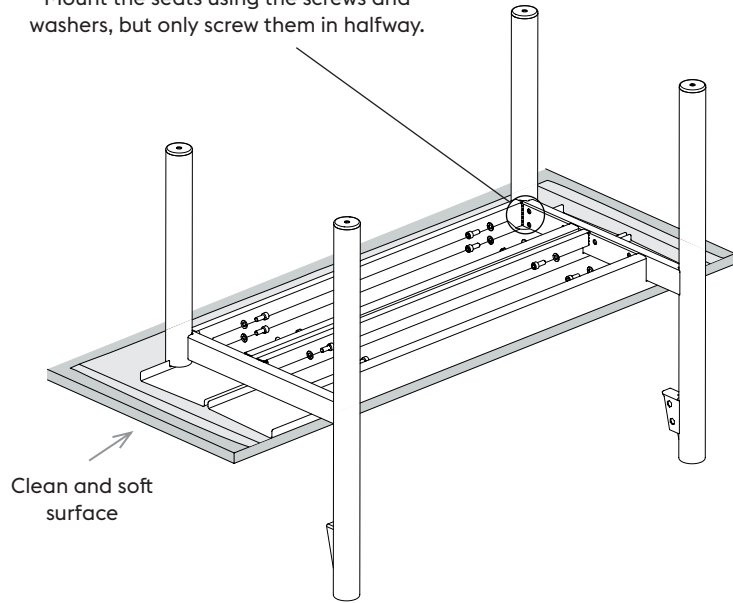


- 2 Be careful not to scratch the top of the front leg, when placing the leg onto the seats.

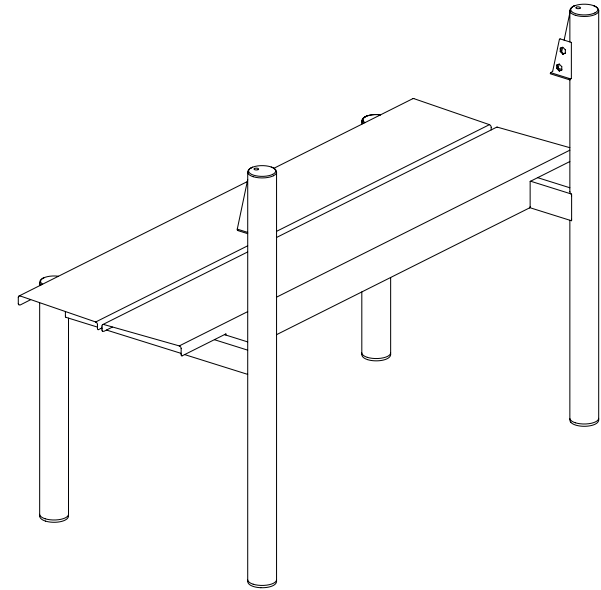


3

Mount the seats using the screws and washers, but only screw them in halfway.

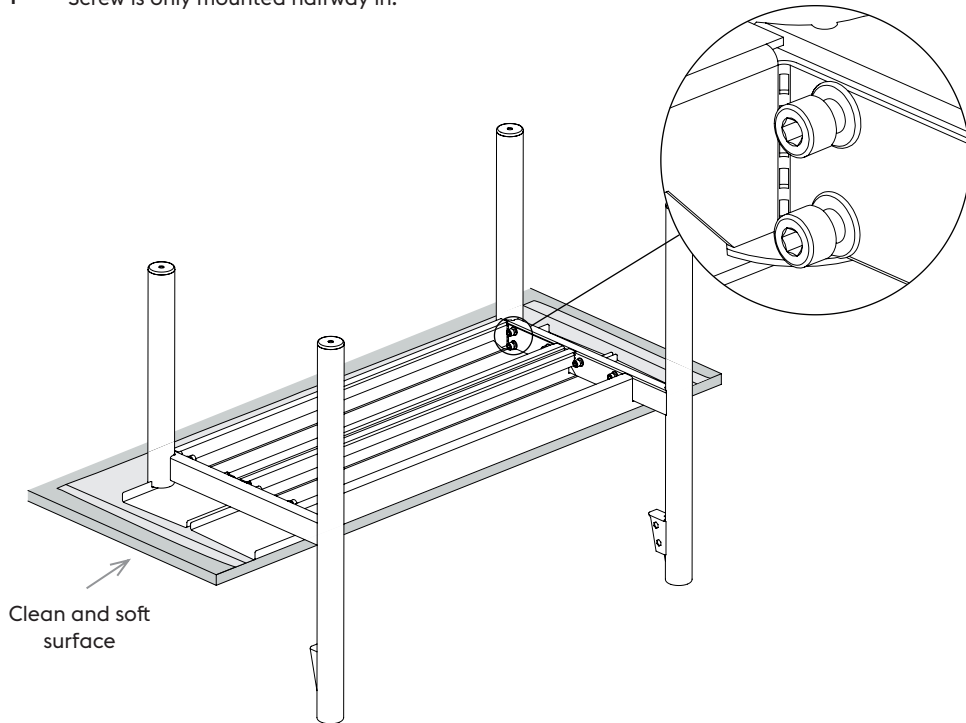


Turn the bench around, and put it on the floor.

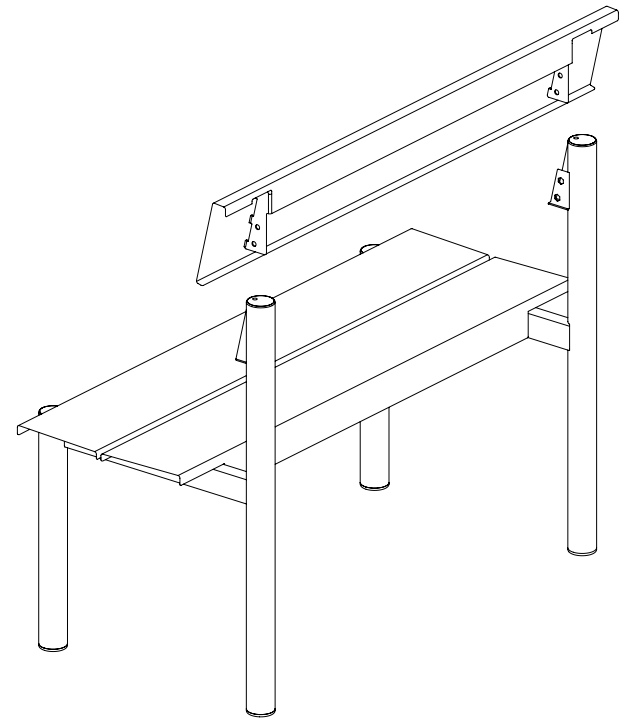


4

Screw is only mounted halfway in.

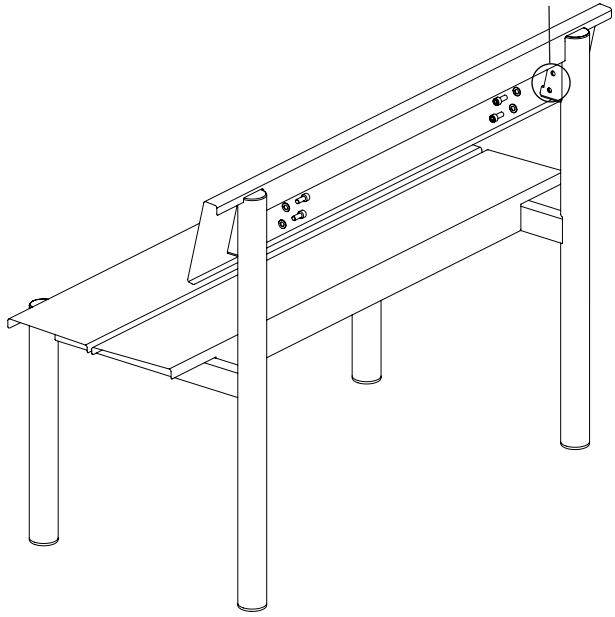


6



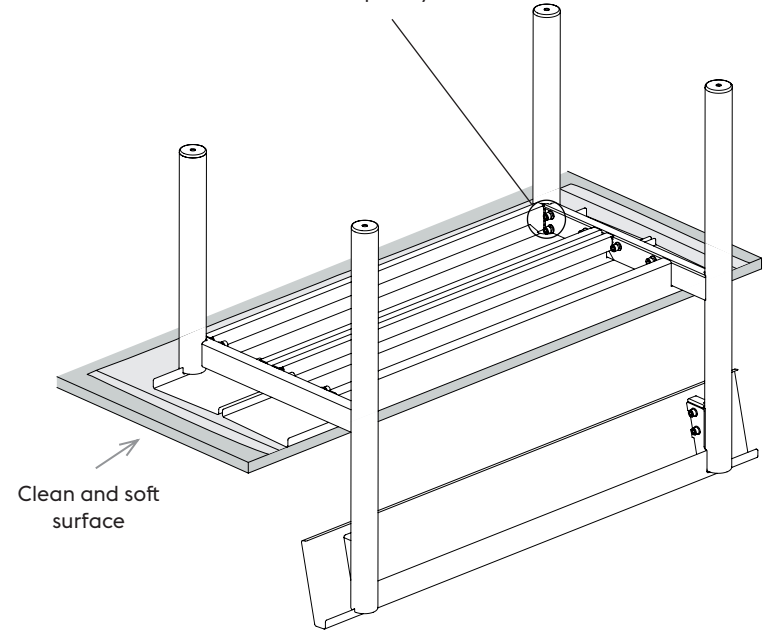
7

Tighten the screws  
all the way in.



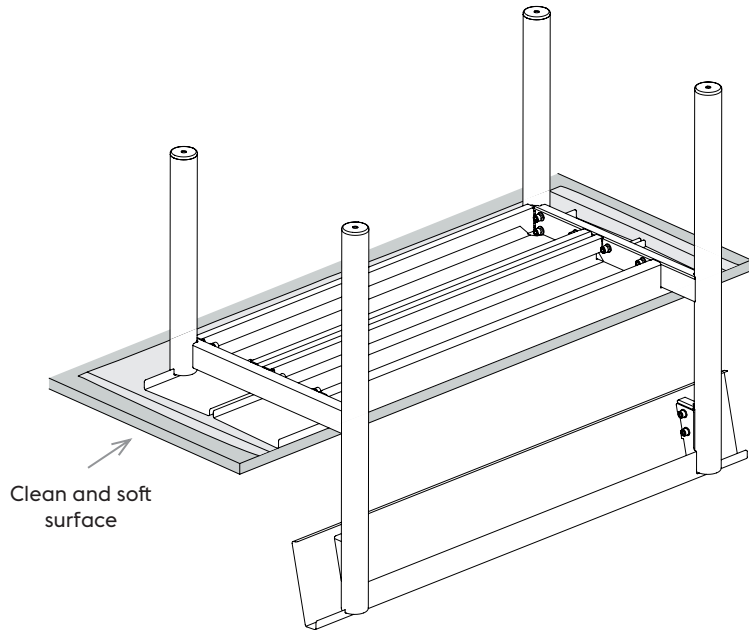
9

Tighten the screws  
completely.



8

Turn the bench around and place it back on the table,  
with the backrest hanging over the edge.



10

